

Figure 1: System I/O map.

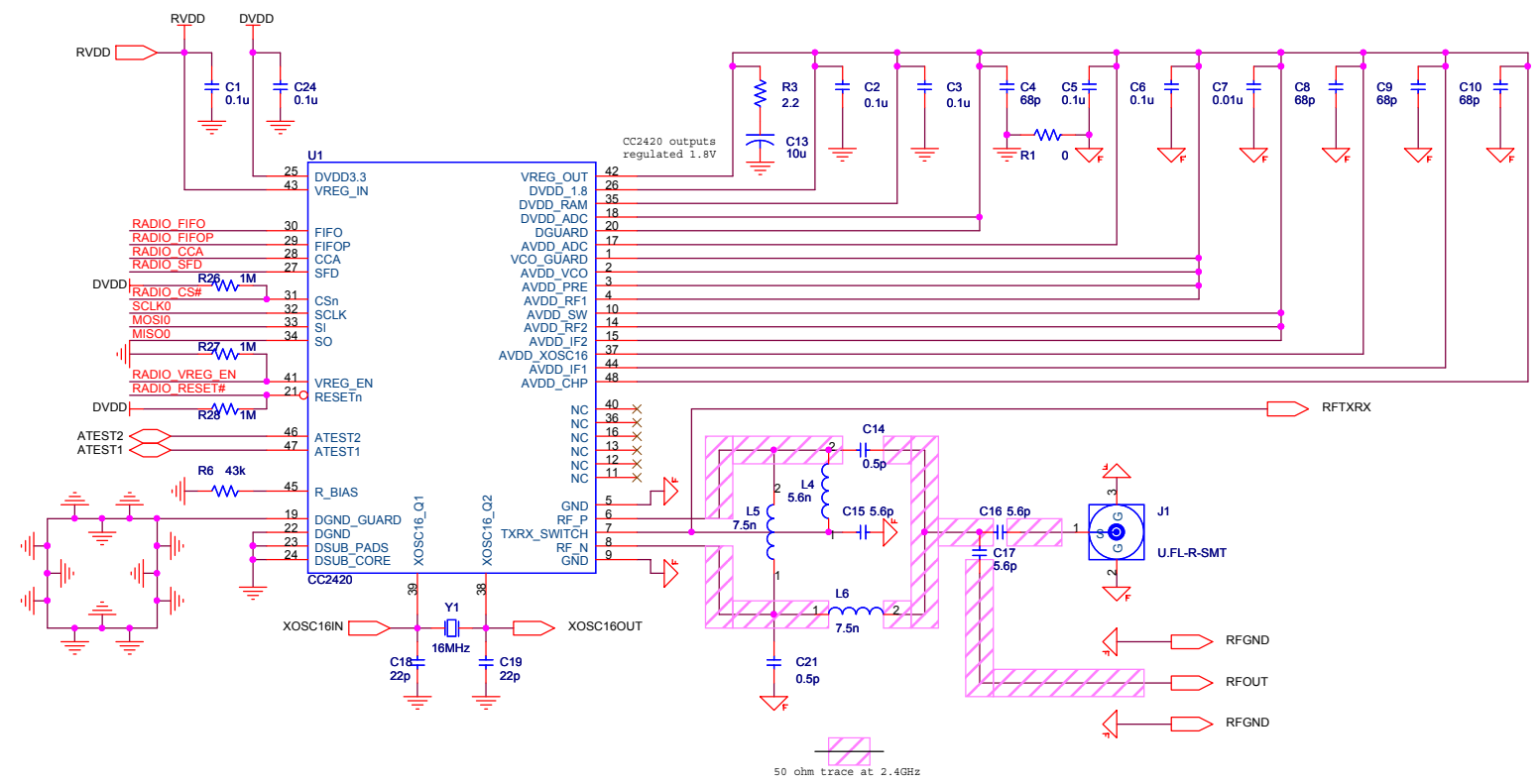
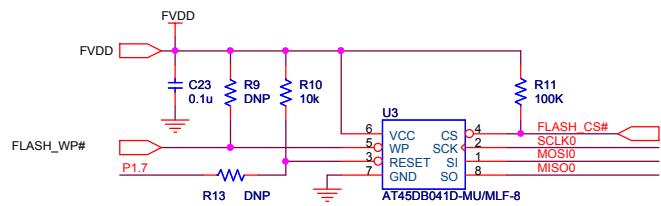
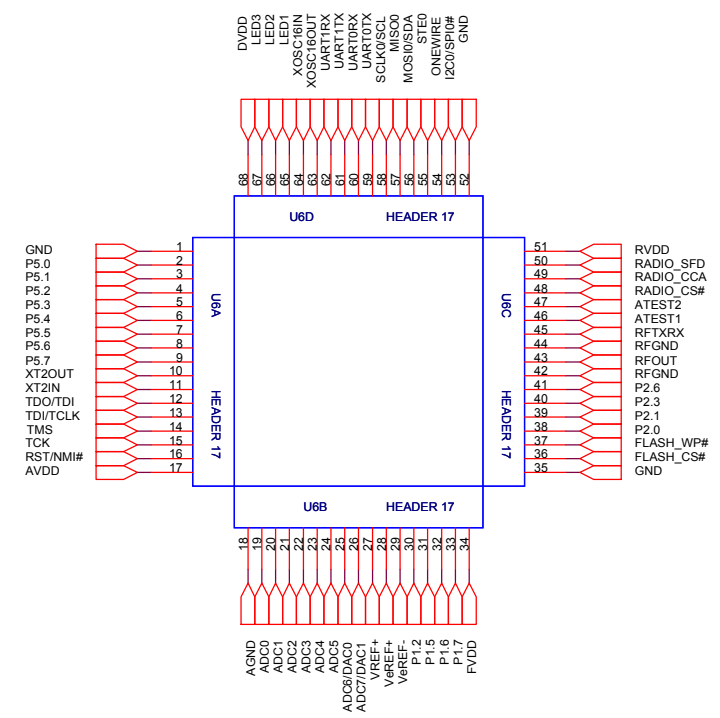


Figure 2: System PCB floorplan.

- DESIGN NOTES
1. All discretes are 0201 unless only available in larger sizes.
 2. Microcontroller, radio, and flash all have separate power.
 3. Split ground planes as shown in Figure 2.
 4. Use LCC's footprint for PCB substrate.
 5. MCU and radio pin 1 denoted by small circle.



Title		
Epic Core 03/28/2007		
Size	Document Number	Rev
C	(C) Copyright 2006: Prabal Dutta	A
Date:	Tuesday, March 27, 2007	Sheet 1 of 1