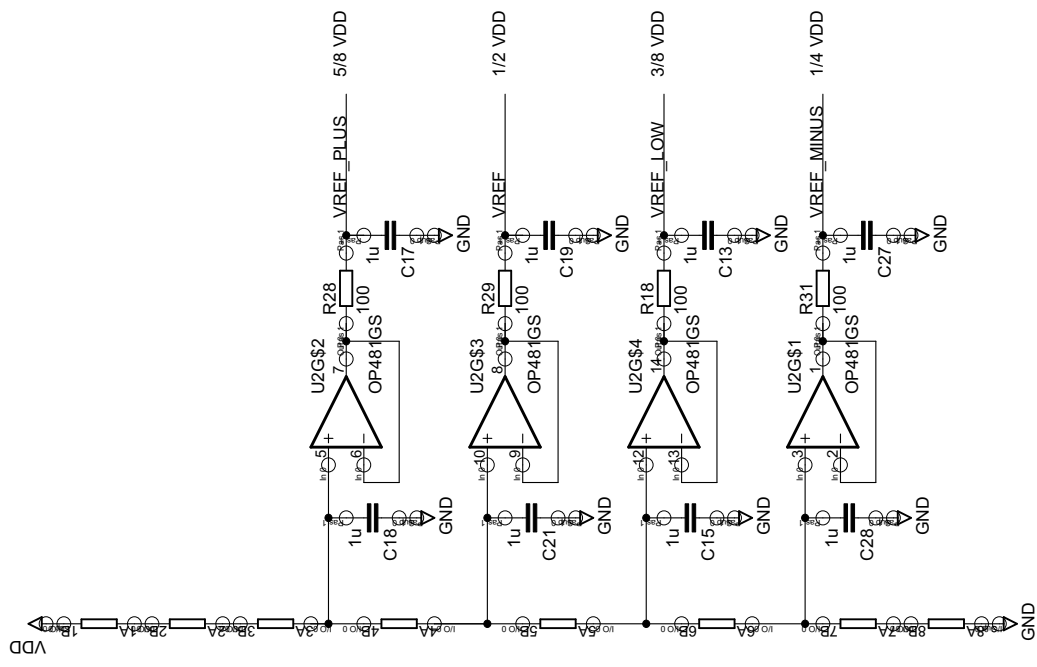
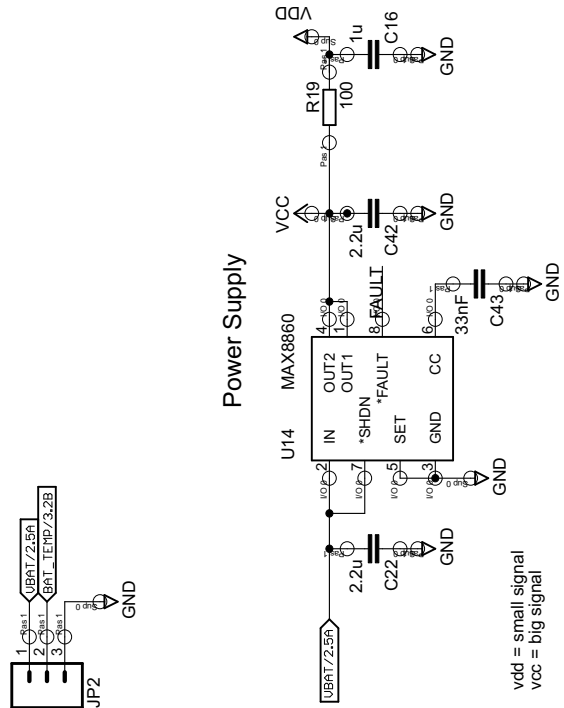


Power Supply Reference



Power Supply



vdd = small signal
vcc = big signal

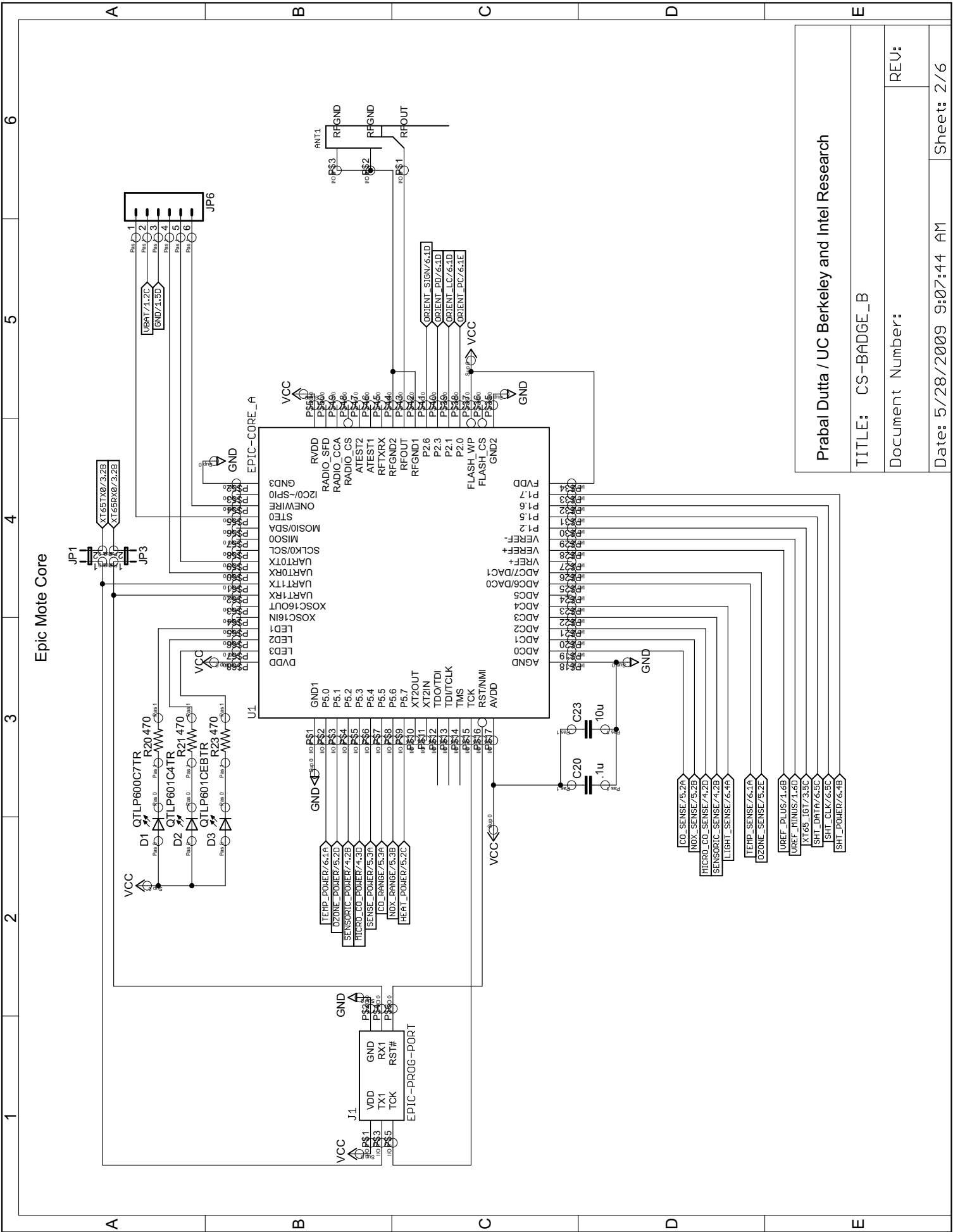
Prabal Dutta / UC Berkeley and Intel Research

TITLE: CS-BADGE_B

Document Number:

Date: 5/28/2009 9:07:44 AM

Sheet: 1/6



Epic Mote Core

Prabal Dutta / UC Berkeley and Intel Research

TITLE: CS-BADGE_B

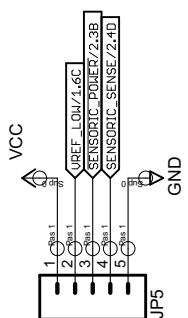
Document Number:

Date: 5/28/2009 9:07:44 AM

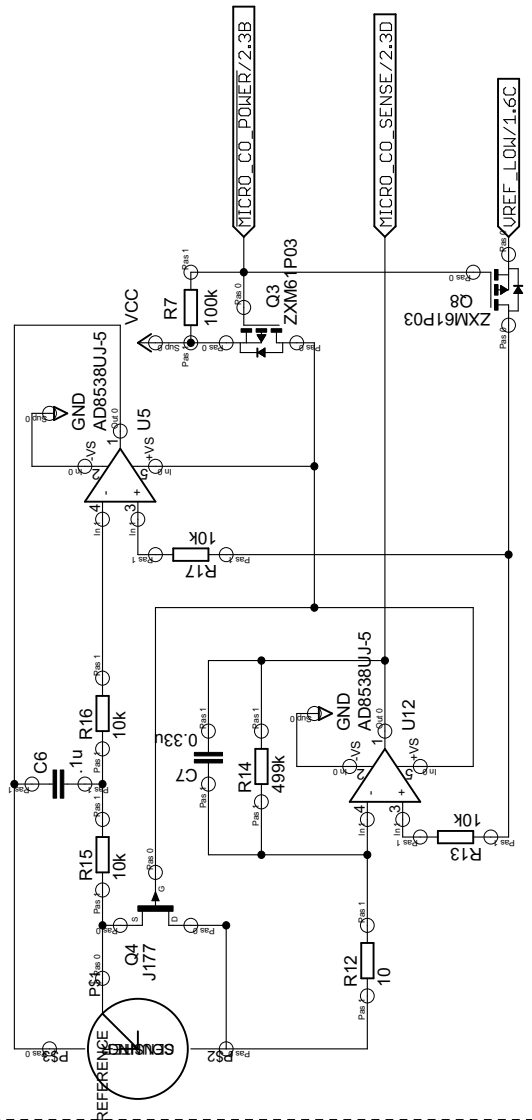
Sheet: 2/6

REV:

Sensoric



MicroCellCO



Prabal Dutta / UC Berkeley and Intel Research

TITLE: CS-BADGE_B

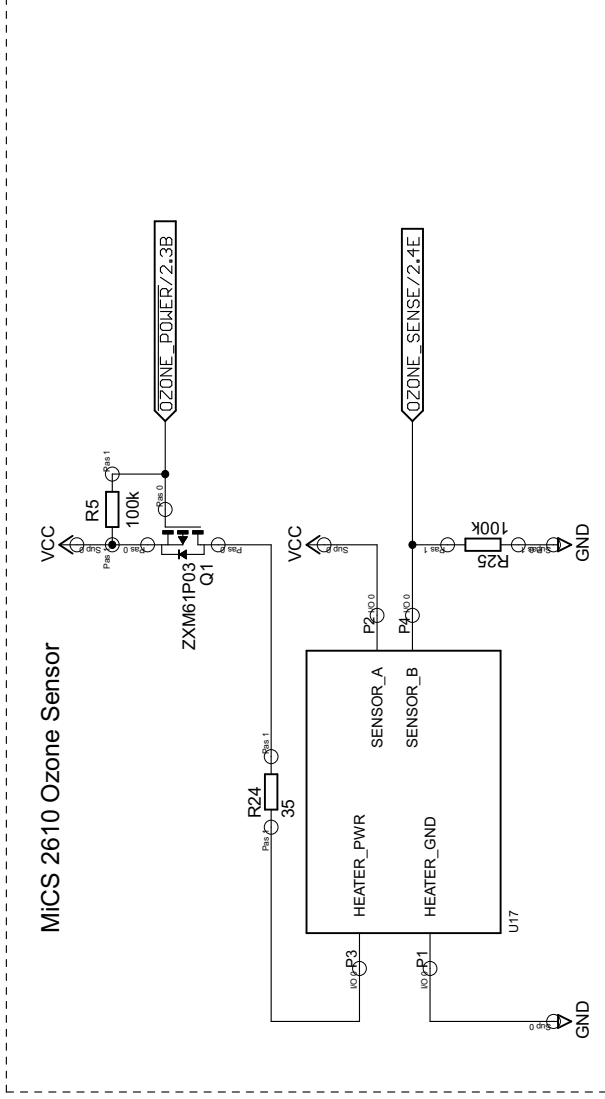
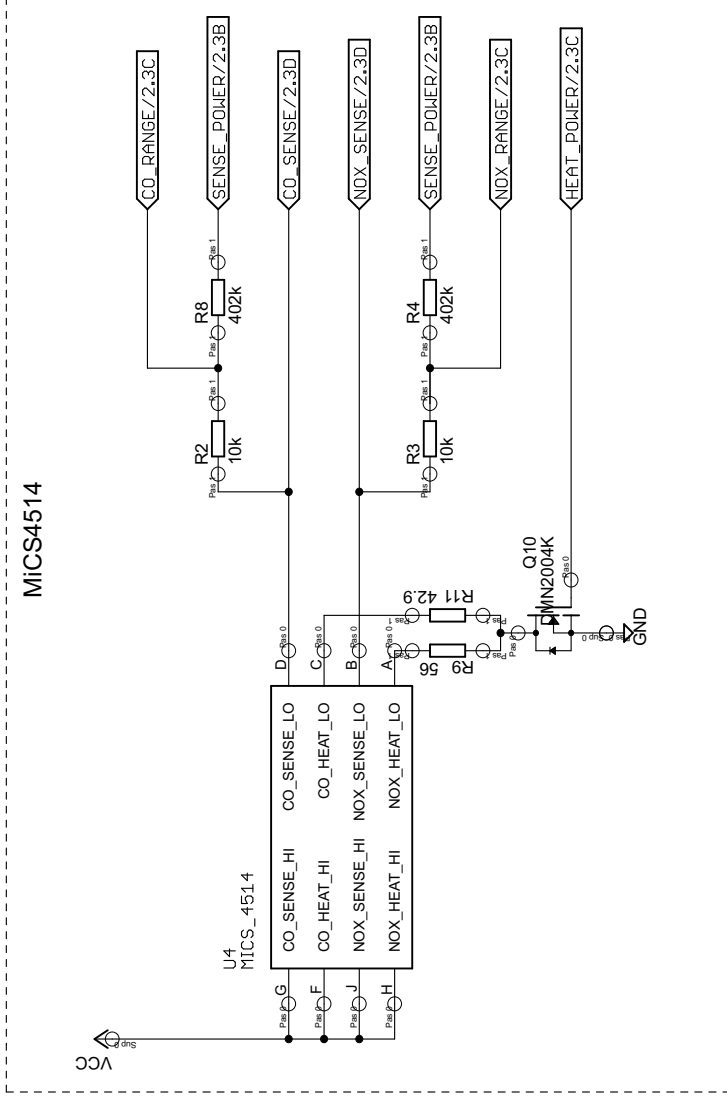
Document Number:

REV:

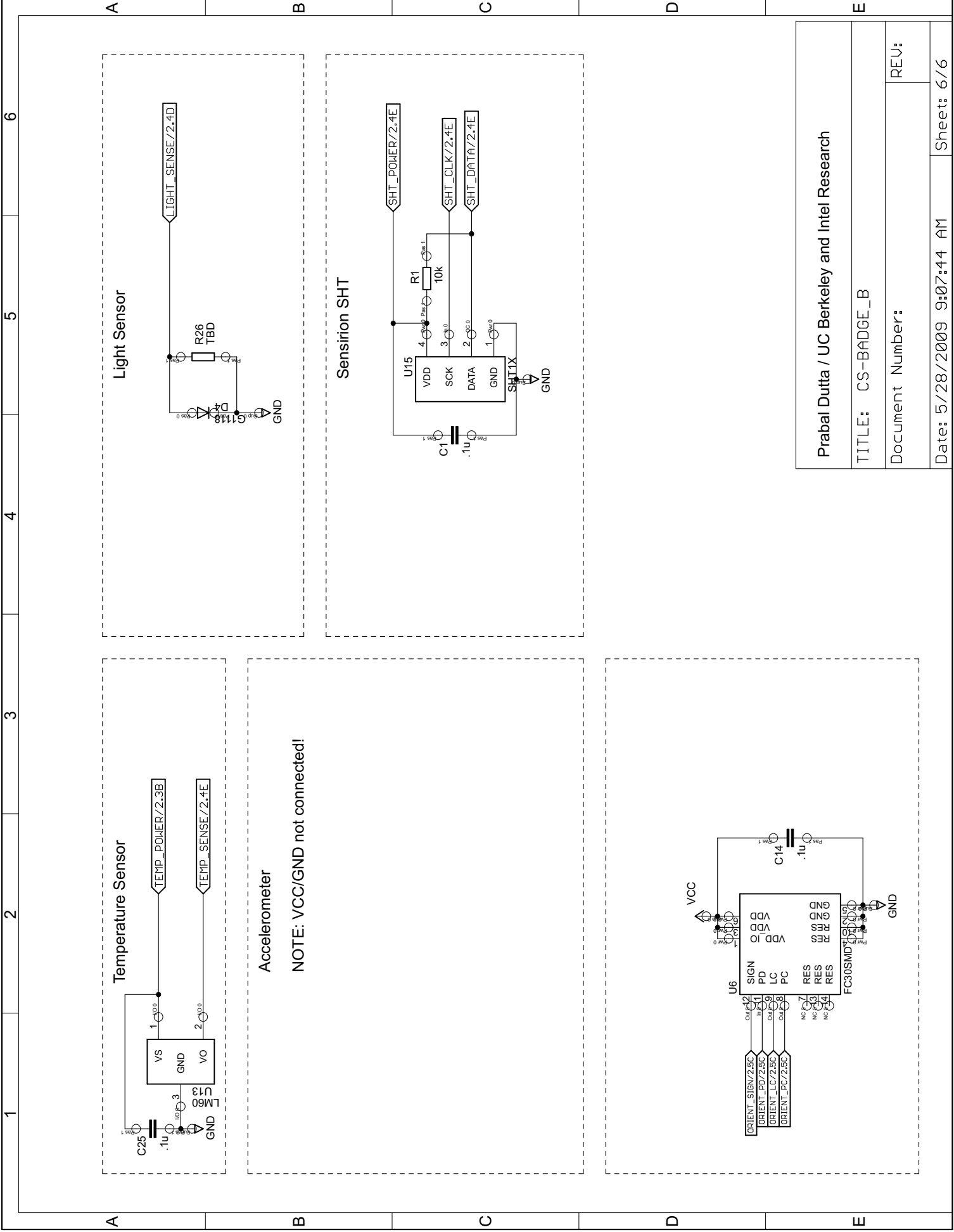
Date: 5/28/2009 9:07:44 AM

Sheet: 4/6

A B C D E



Prabal Dutta / UC Berkeley and Intel Research	
TITLE: CS-BADGE_B	REV:
Document Number:	
Date: 5/28/2009 9:07:44 AM	Sheet: 5/6



Prabal Dutta / UC Berkeley and Intel Research	
TITLE: CS-BADGE_B	
Document Number:	REV:
Date: 5/28/2009 9:07:44 AM	Sheet: 6/6