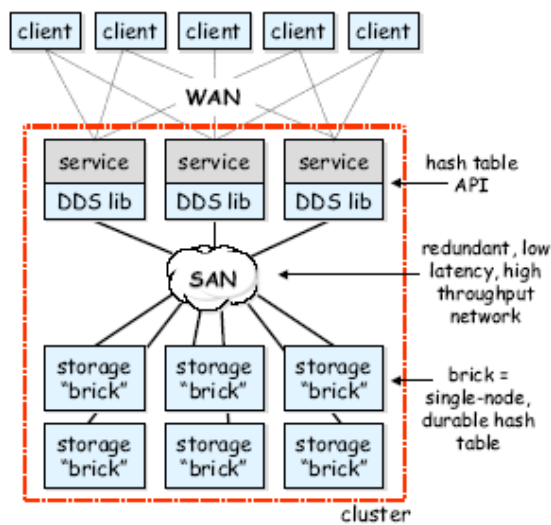


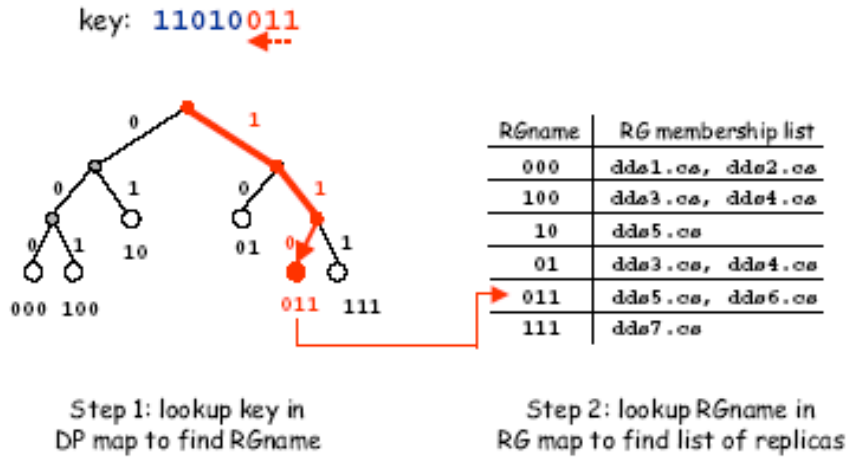
DDS and xFS

February 3, 2004

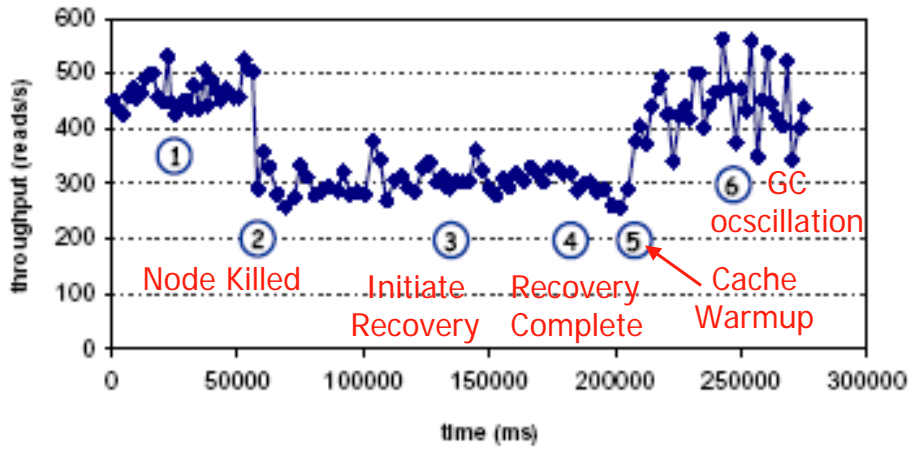
DDS Structure



DDS Maps



DDS Recovery



xFS steps...

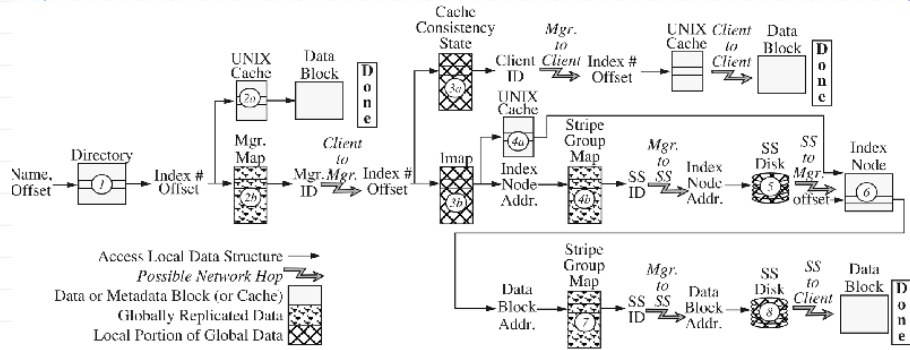
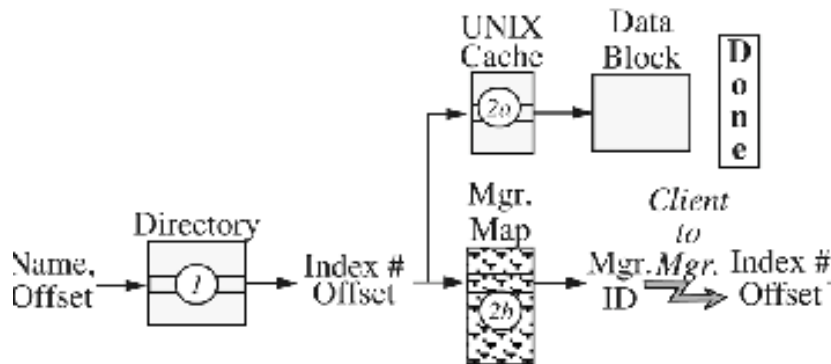
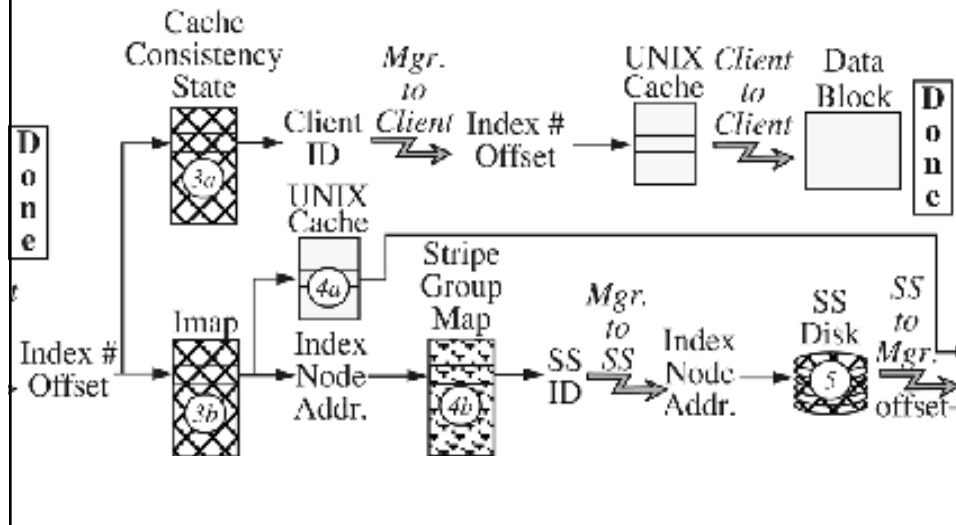


Figure 3. Procedure to read a block. The circled numbers refer to steps described in Section 3.2.1. The network hops are labelled as "possible" because clients, managers, and storage servers can run on the same machines. For example, xFS tries to co-locate the manager of a file on the same machine as the client most likely to use the file to avoid some of the network hops. "SS" is an abbreviation for "Storage Server."

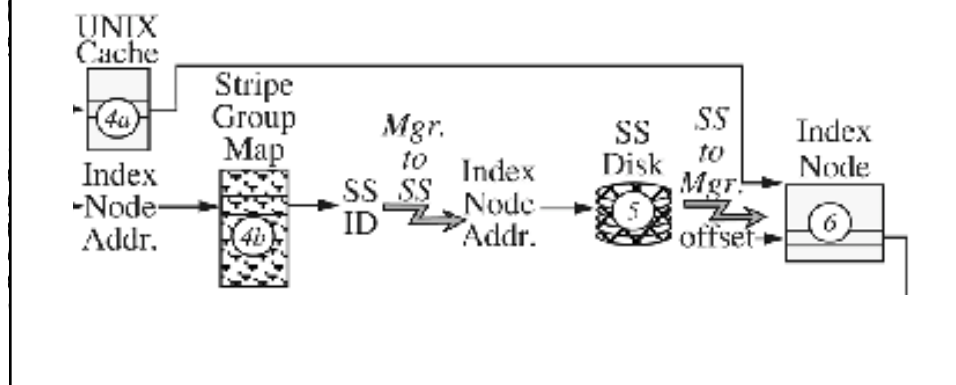
Steps 1 and 2



Step 3 and 4



Steps 5 and 6



Steps 7 and 8

