



**DAVIS HALL NORTH
CENTER FOR INFORMATION
TECHNOLOGY RESEARCH IN THE
INTEREST OF SOCIETY**

CAAN #1152 UC PROJECT #12115A

SMITHGROUP
architecture engineering interiors planning

SMITHGROUP, INC.
225 BUSH STREET
11TH FLOOR
SAN FRANCISCO, CALIFORNIA 94104
T 415.227.0100
F 415.882.7718
www.smithgroup.com

Forell/Elesesser Engineers, Inc.
STRUCTURAL ENGINEER
192 Pine Street, Suite 600, San Francisco, California 94111
415.837.0700

Bard, Rao + Athanas Consulting Engineers, LLC
MECHANICAL / ELECTRICAL / PLUMBING ENGINEERS
550 South Hope Street, Los Angeles, California 90071
213.593.9062

Integrated Engineering Services
PROCESS MECHANICAL / ELECTRICAL / PLUMBING
170 Saratoga Avenue, Suite 200, Santa Clara, California 95051
408.261.3500

Suzman & Cole Design Associates
LANDSCAPE ARCHITECT
251 Rhode Island St, Suite 205, San Francisco, California 94103
415.252.0111

BKF Engineers
CIVIL ENGINEER
4780 Chastot Drive, Suite 104, Pleasanton, California 94588
925.398.1700

TEECOM Design Group
TELECOMMUNICATIONS / DATA ENGINEERS
1333 Broadway, Suite 601, Oakland, California 94612
510.337.2900

Hathaway Dinwiddie Construction Company
CM / CONTRACTOR
565 Laurelwood Road, Santa Clara, California 95054-2419
408.988.8200

ISSUED FOR	REV	DATE

SEALS AND SIGNATURES
ARCHITECT OR ENGINEER OF RECORD

**CALIFORNIA STATE FIRE MARSHAL
APPROVED**

Approval of this plan does not authorize or approve any omission or deviation from applicable regulations. Final approval is subject to field inspection. One set of approved plans shall be available on the project site at all times.

Reviewed by

KEY PLAN



**IDENTIFICATION STAMP
DIV. OF THE STATE ARCHITECT**

FILE NO. 01-UC BERKELEY
APPL. NO. 01-107530

AC FLS SS

DATE:

DRAWING TITLE

DETAILS

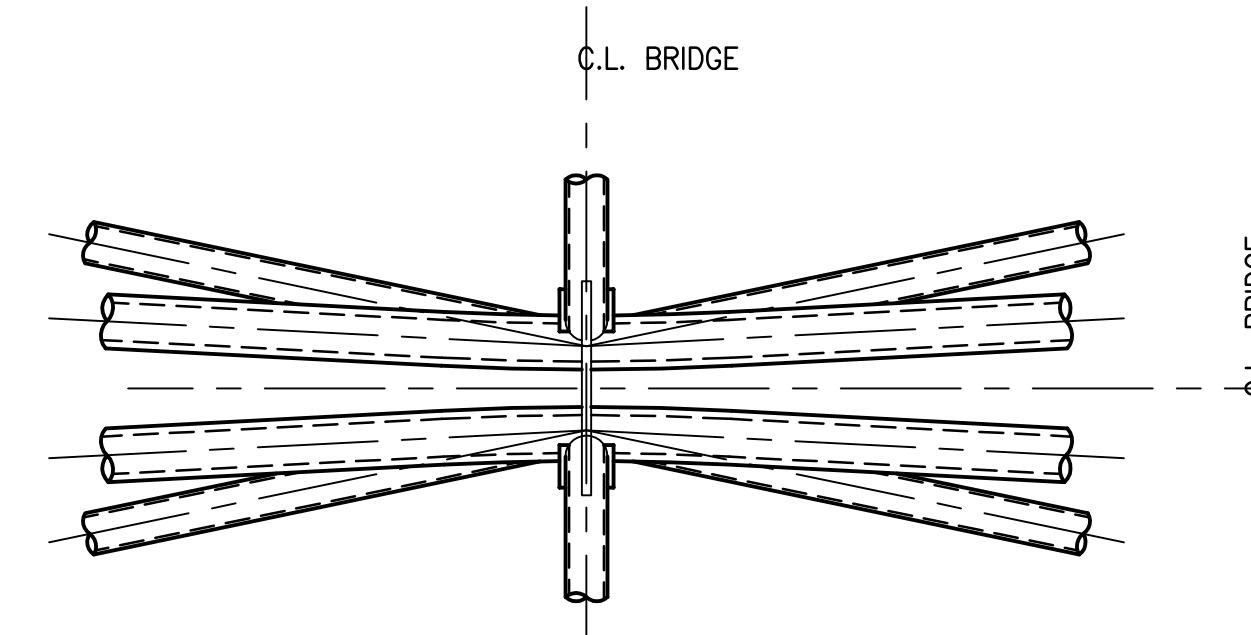
SCALE AS NOTED

SCALE 38440.001

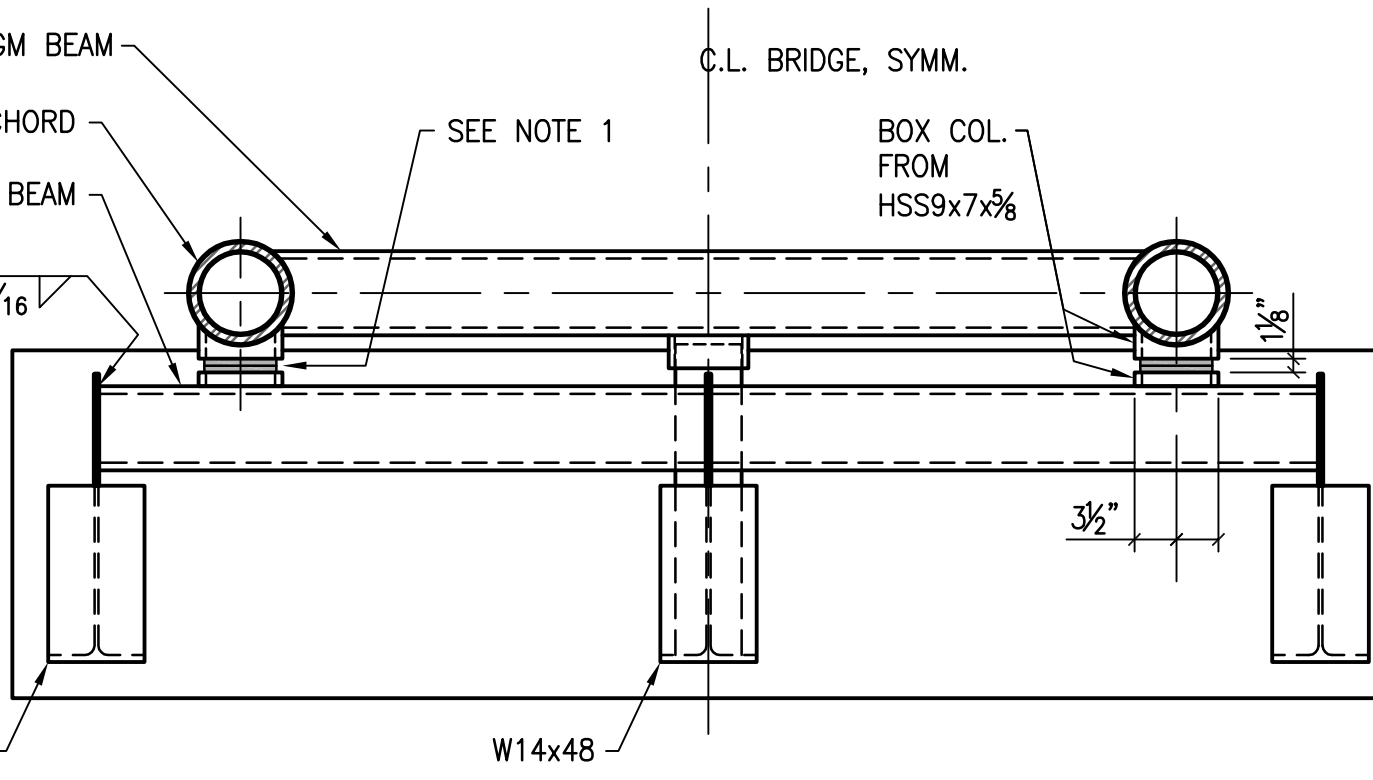
PROJECT NUMBER

S2

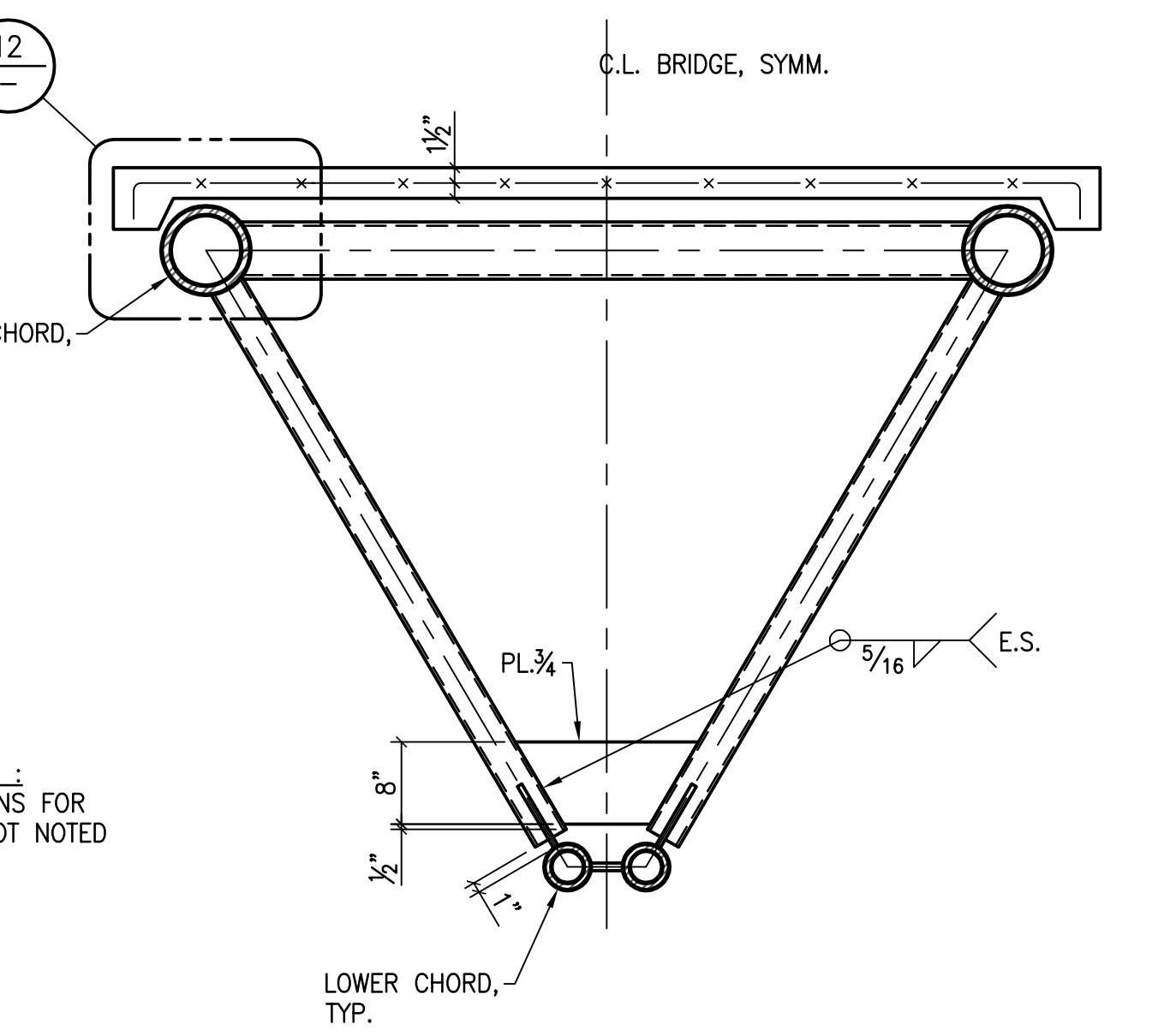
DRAWING NUMBER



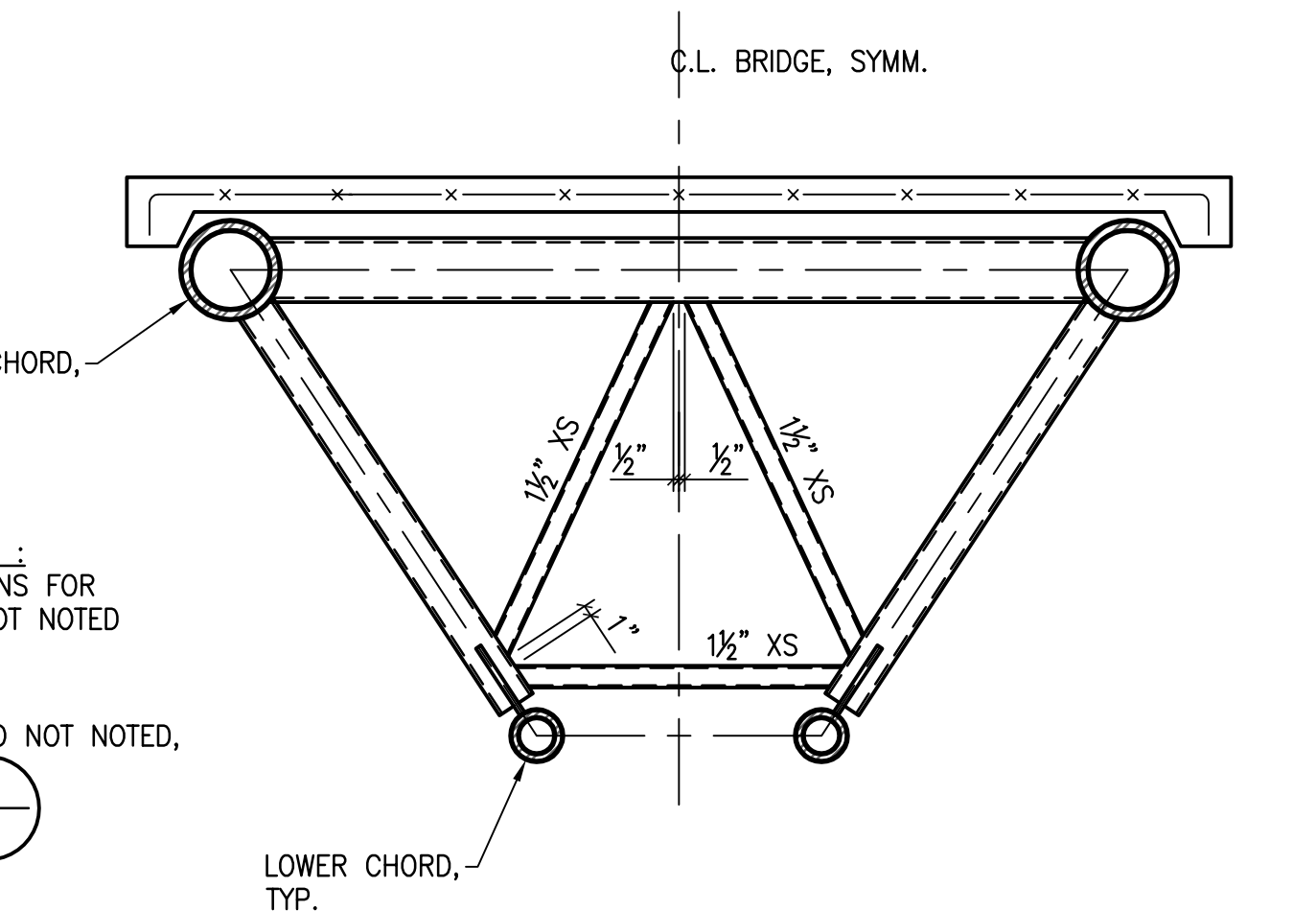
6 TRUSS LOWER CHORD PLAN DETAIL
SCALE: 3/4"=1'-0"



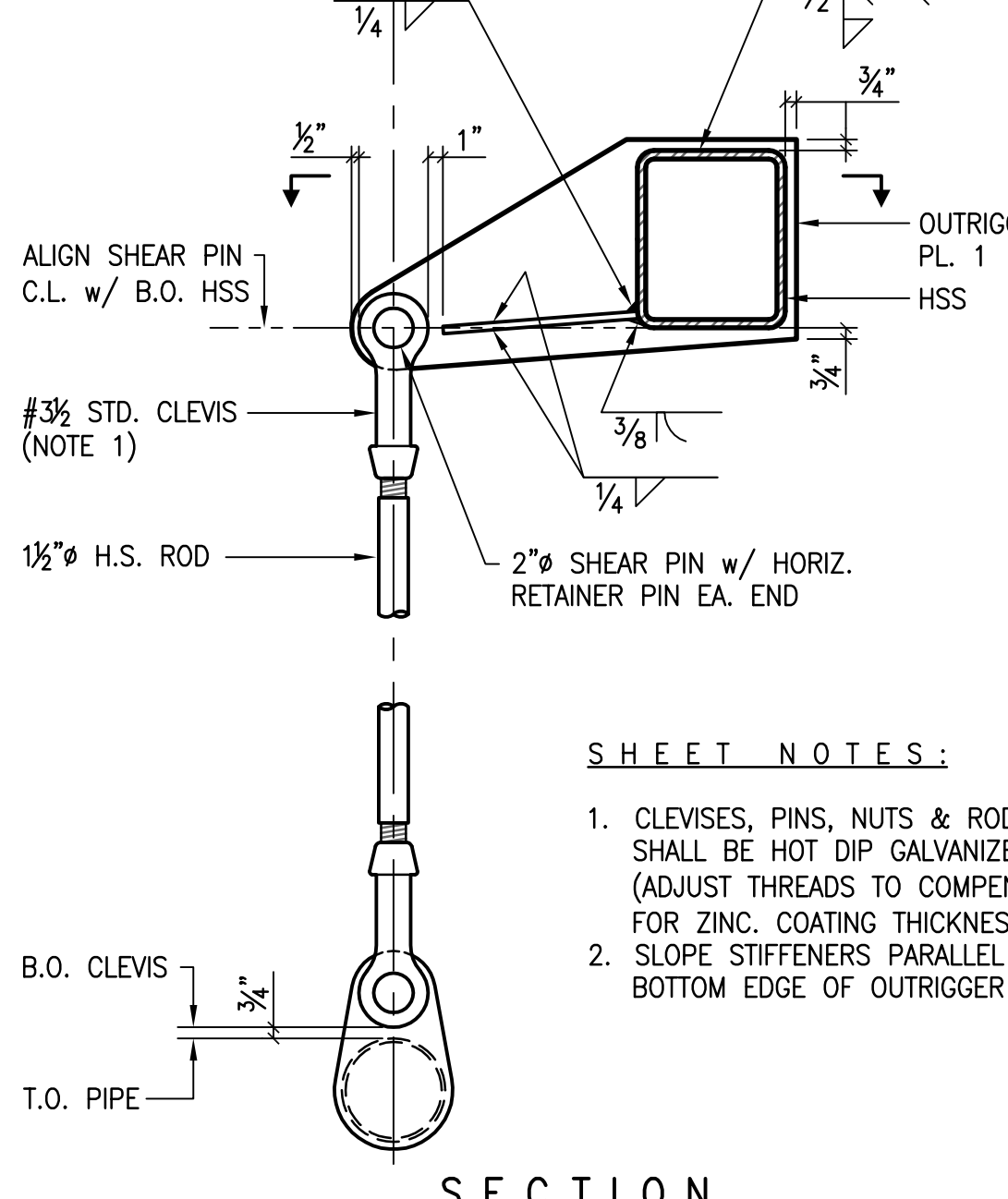
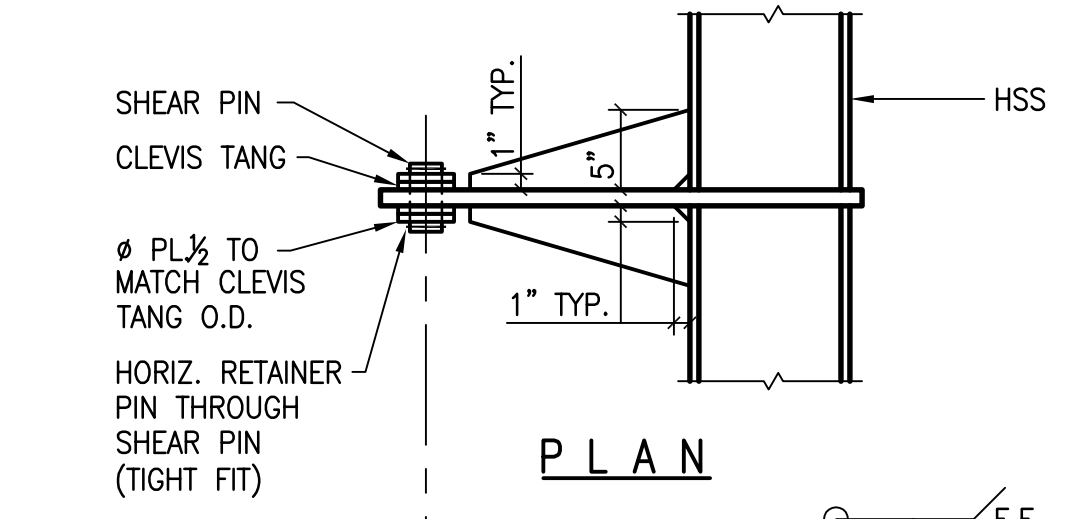
7 FRAMING ELEVATION AT CITRUS
SCALE: 3/4"=1'-0"



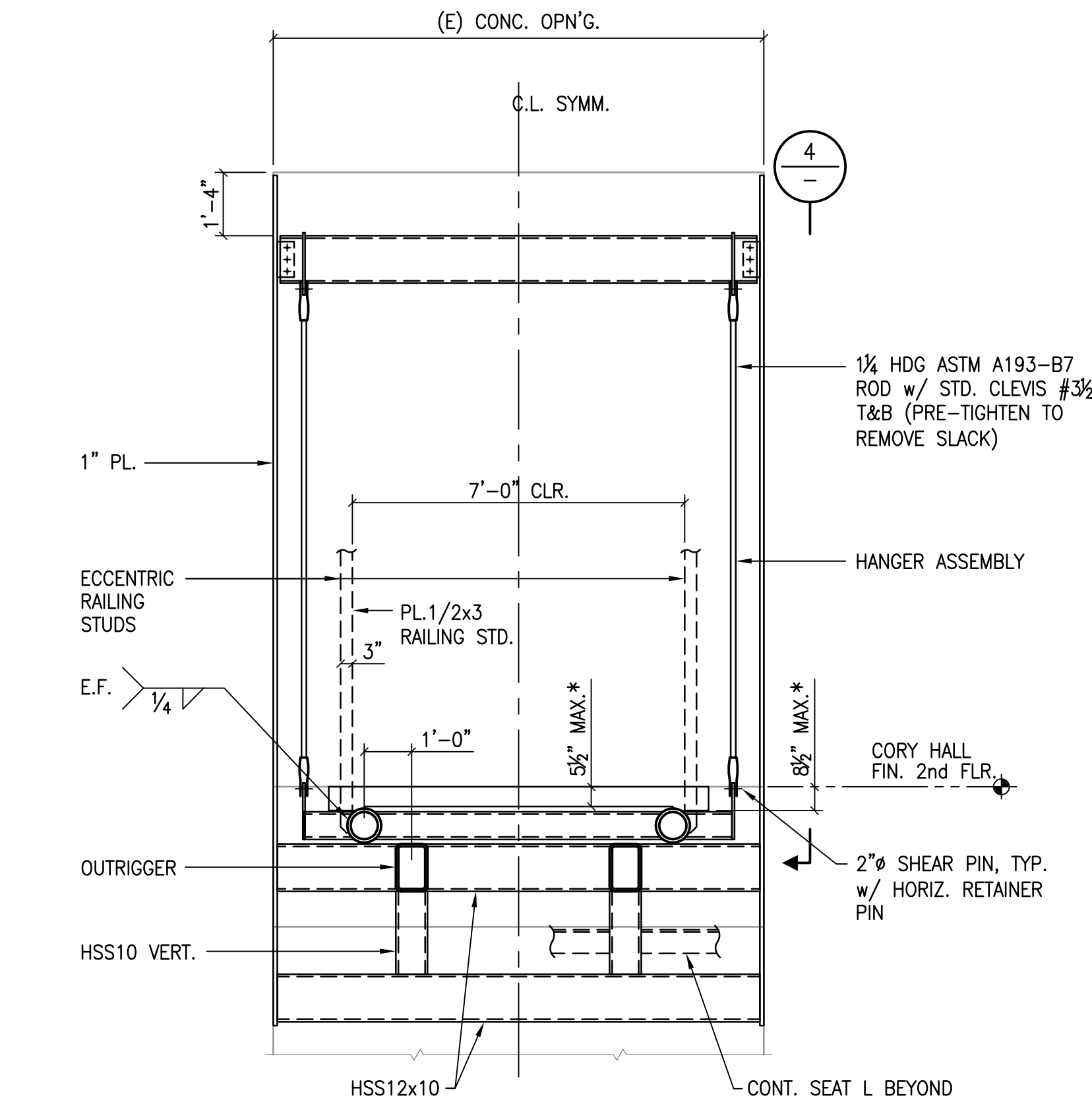
8 SECTION
SCALE: 3/4"=1'-0"



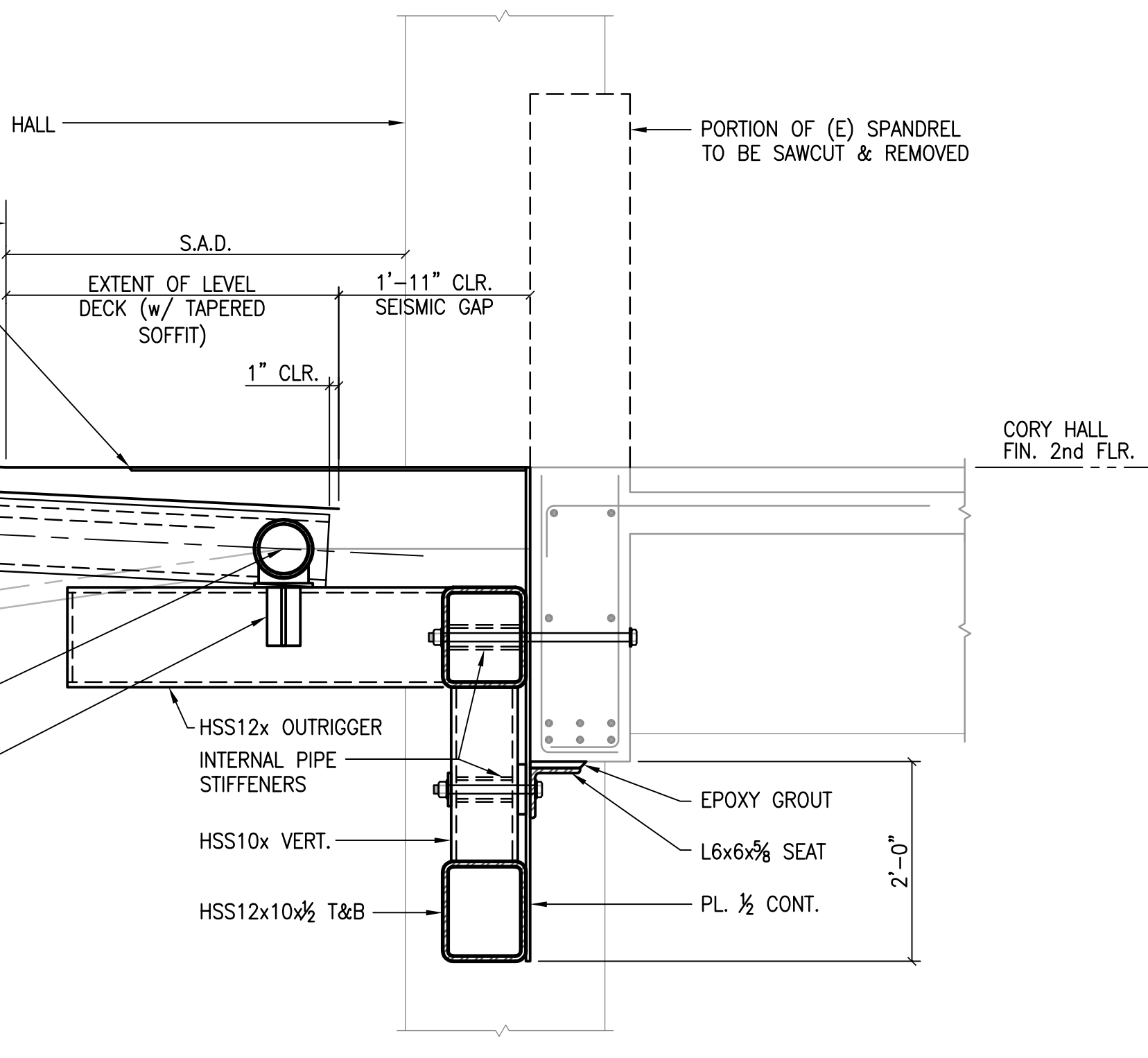
9 SECTION
SCALE: 3/4"=1'-0"



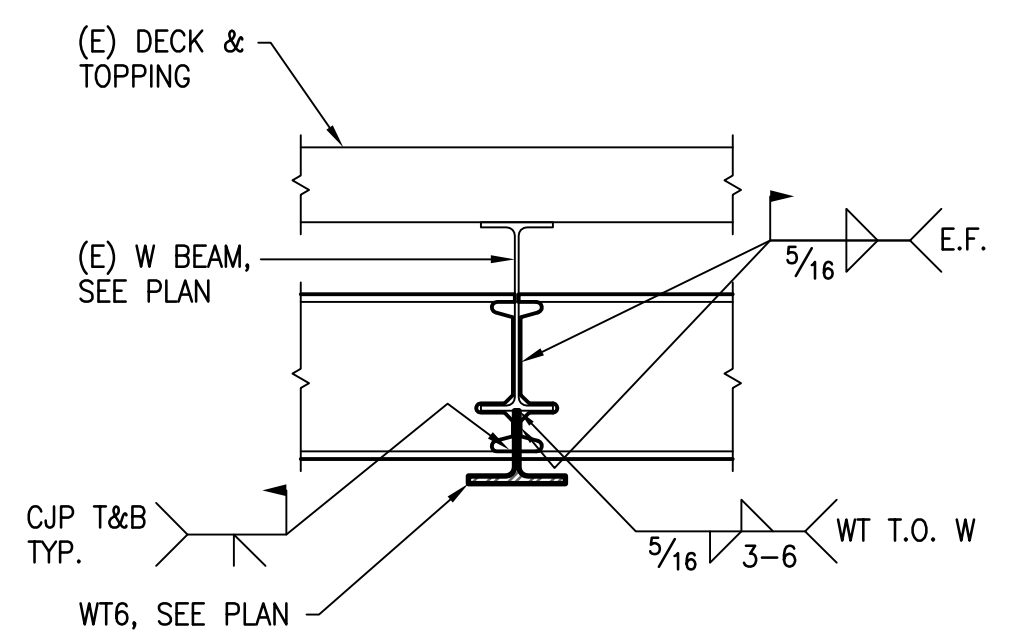
4 SECTION
SCALE: 1"=1'-0"



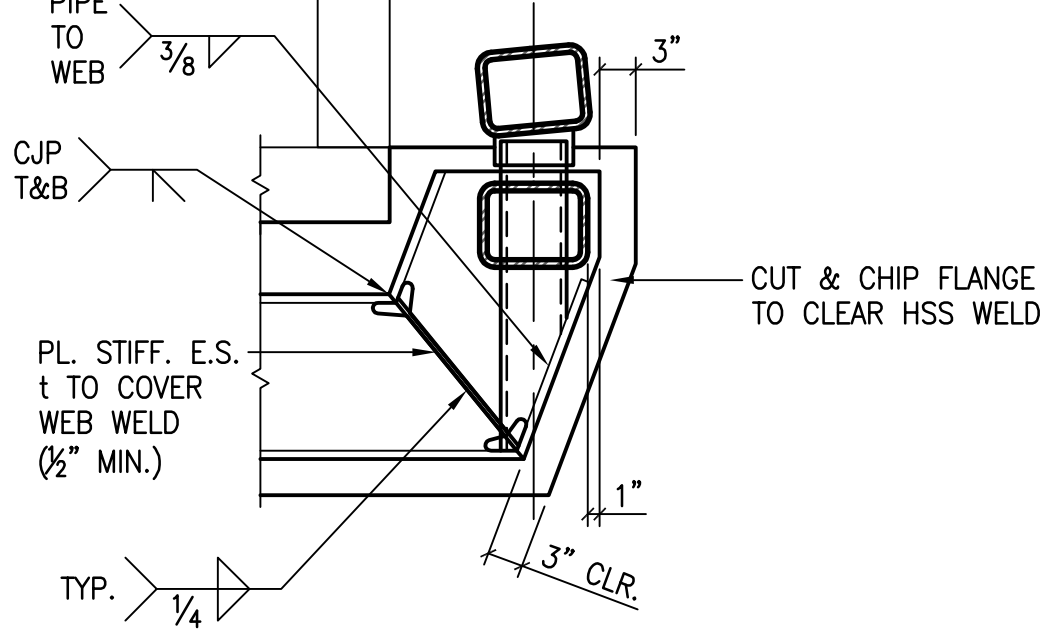
1 FRAMING ELEVATION AT CORY HALL
SCALE: 3/8"=1'-0"



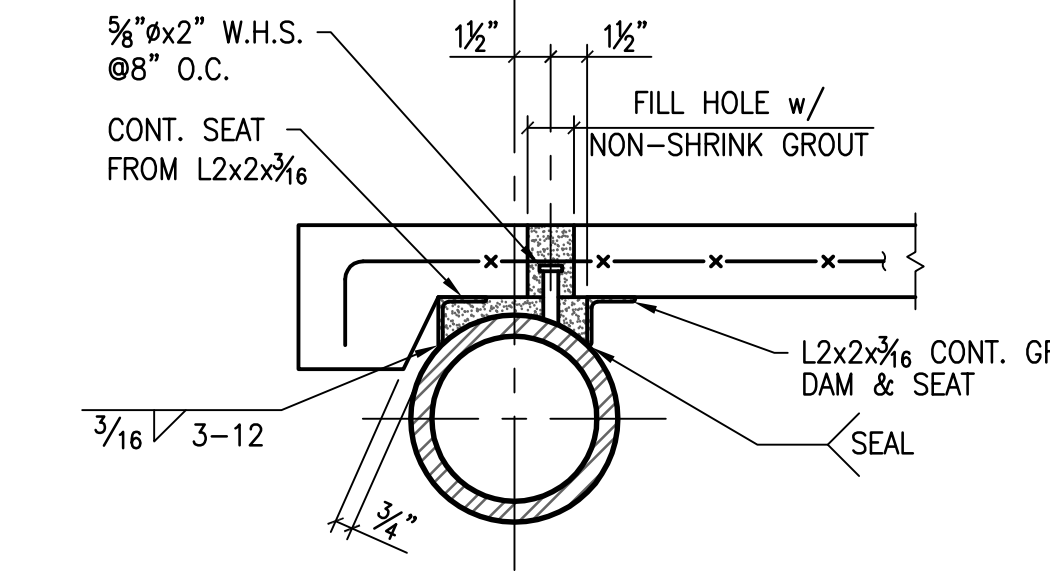
2 SECTION
SCALE: 3/4"=1'-0"



15 SECTION
SCALE: 3/4"=1'-0"



11 DETAIL AT MITER
SCALE: 3/4"=1'-0"



12 SECTION
SCALE: 1 1/2"=1'-0"

11/12/2007 11:56:01 AM
XREF Filename List: ACES, VORNUMBERTITLENAME, PROJECT, PSPACE, SHEET
Plot Layout: PSPACE, SHEET @ 1:1
Plot Date: