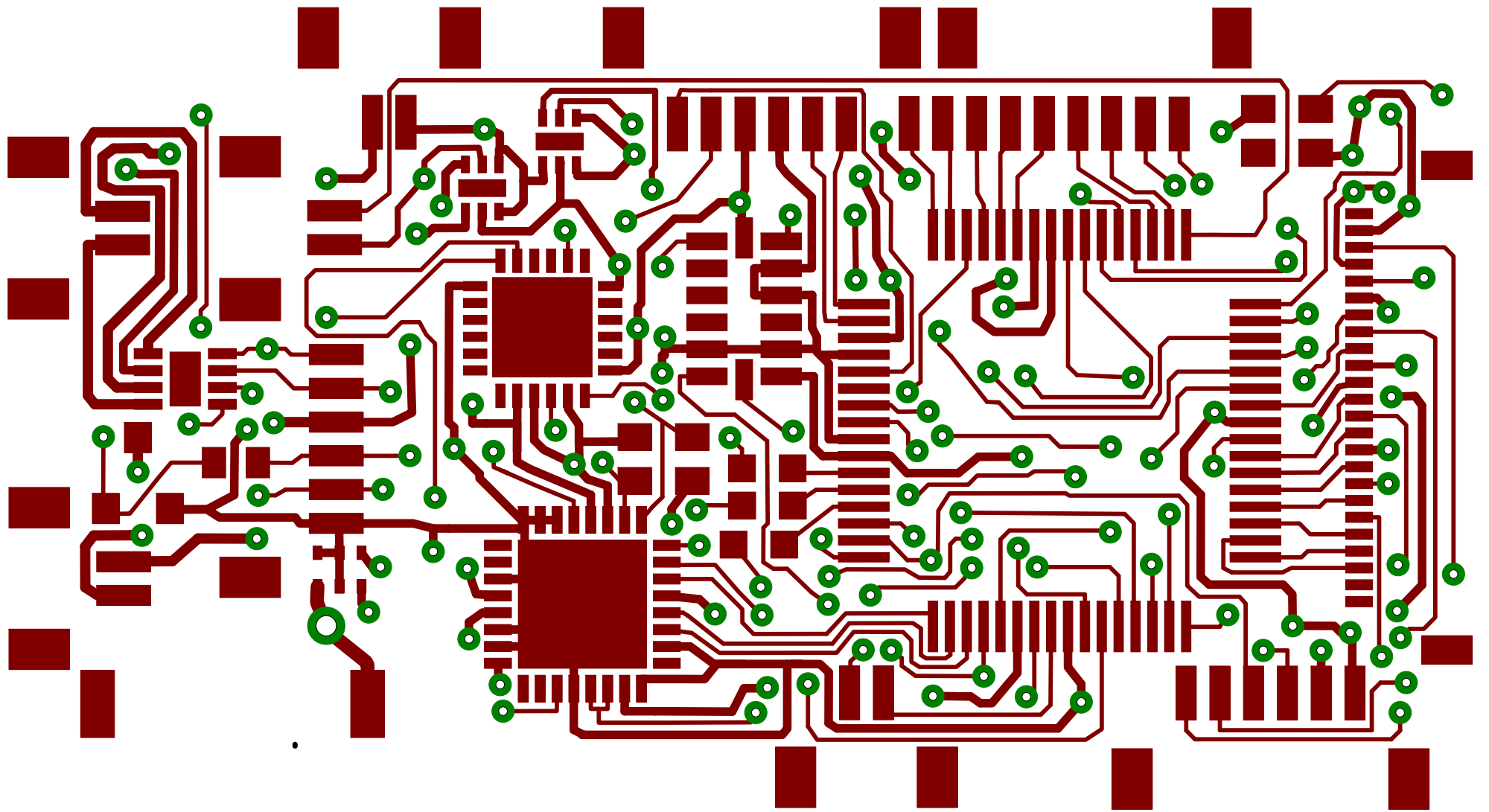
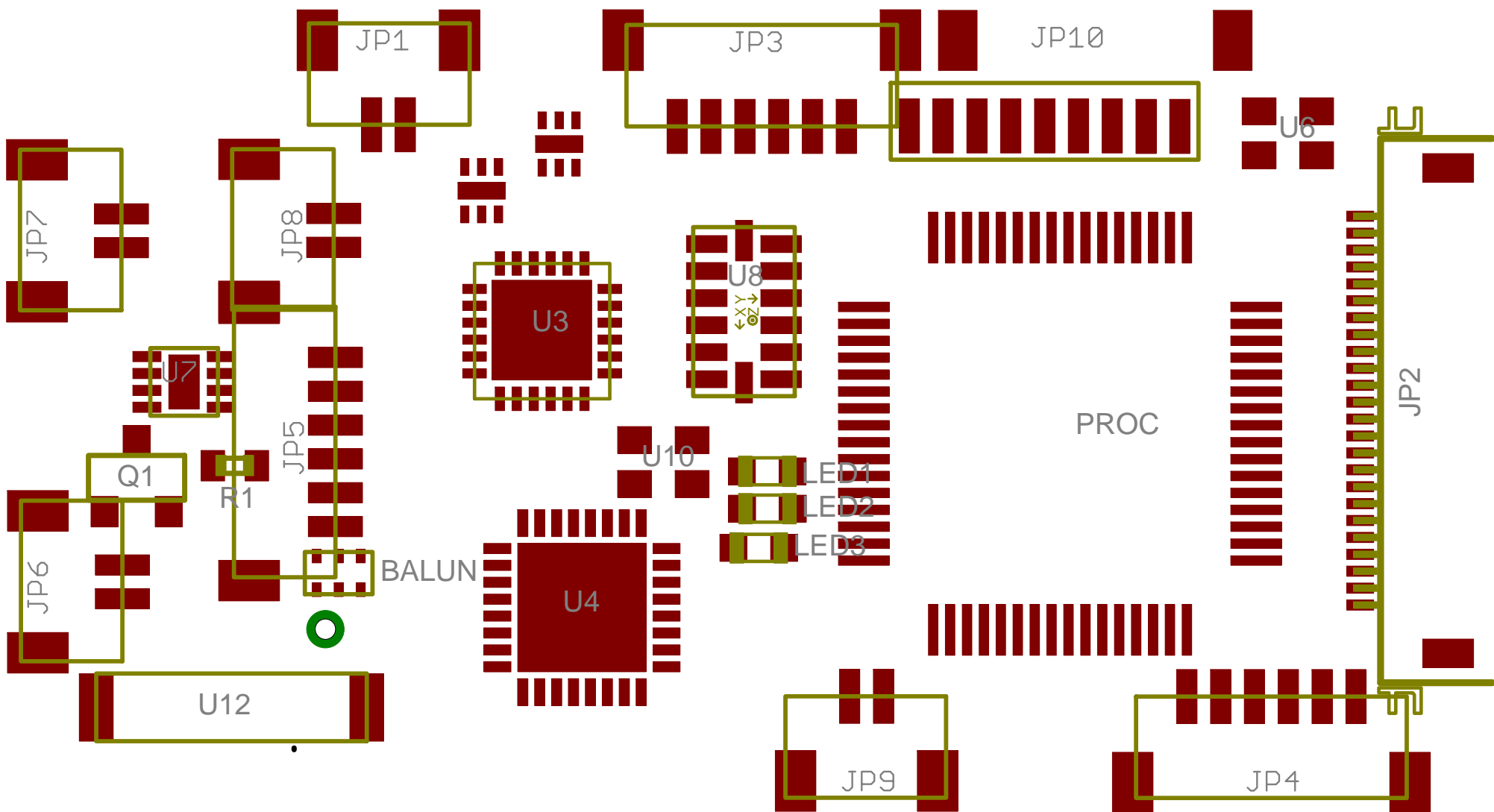
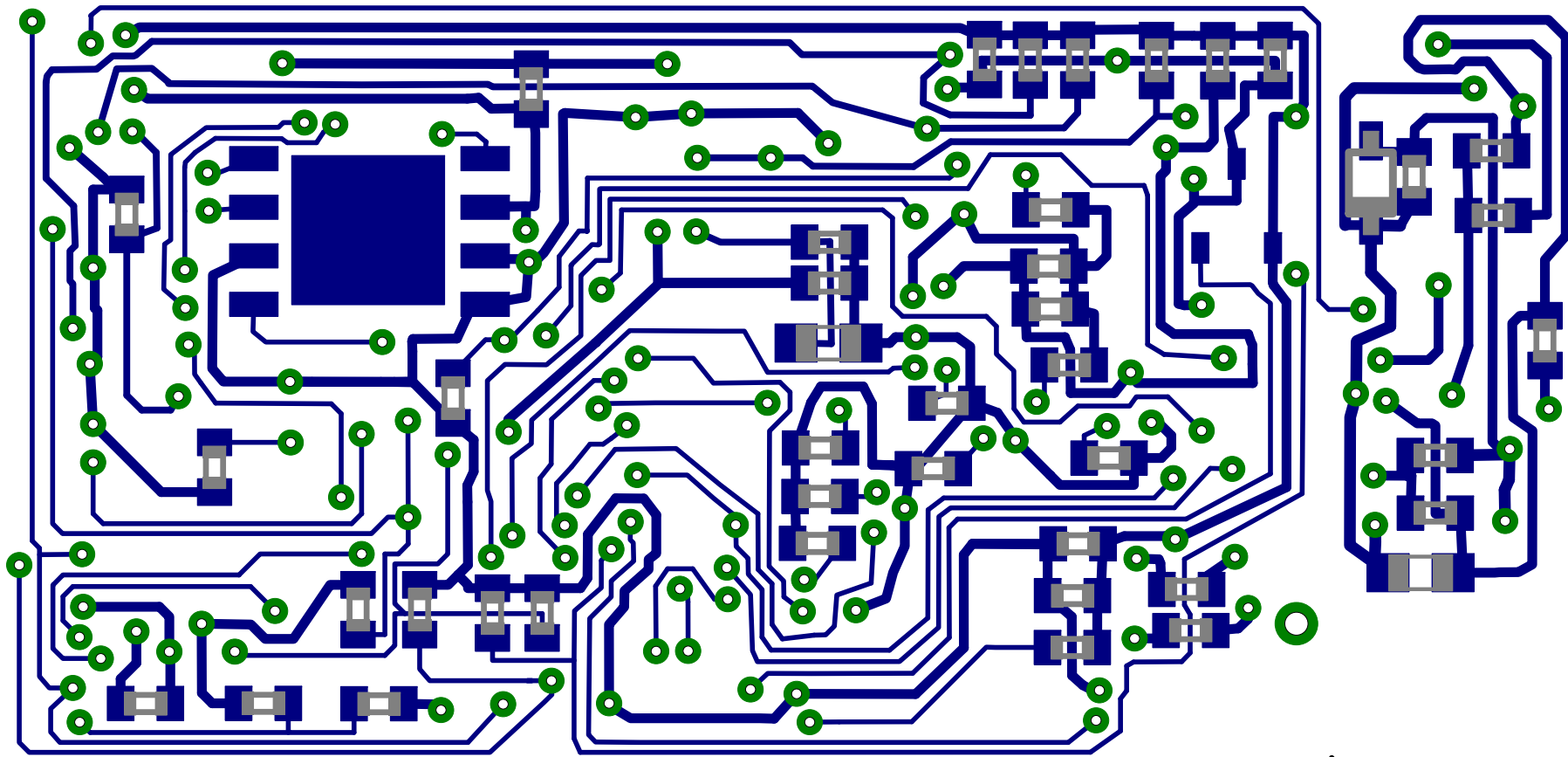
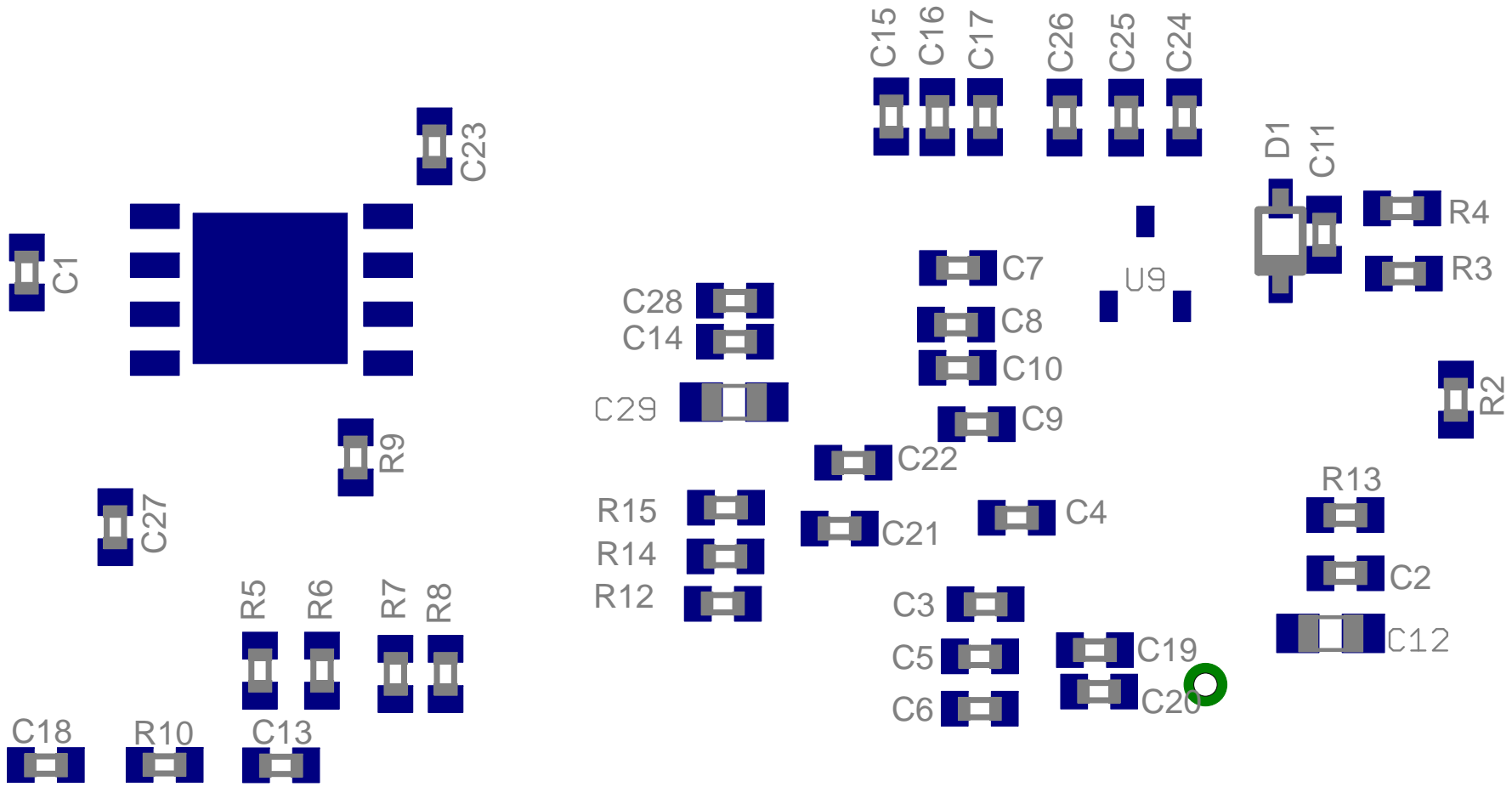


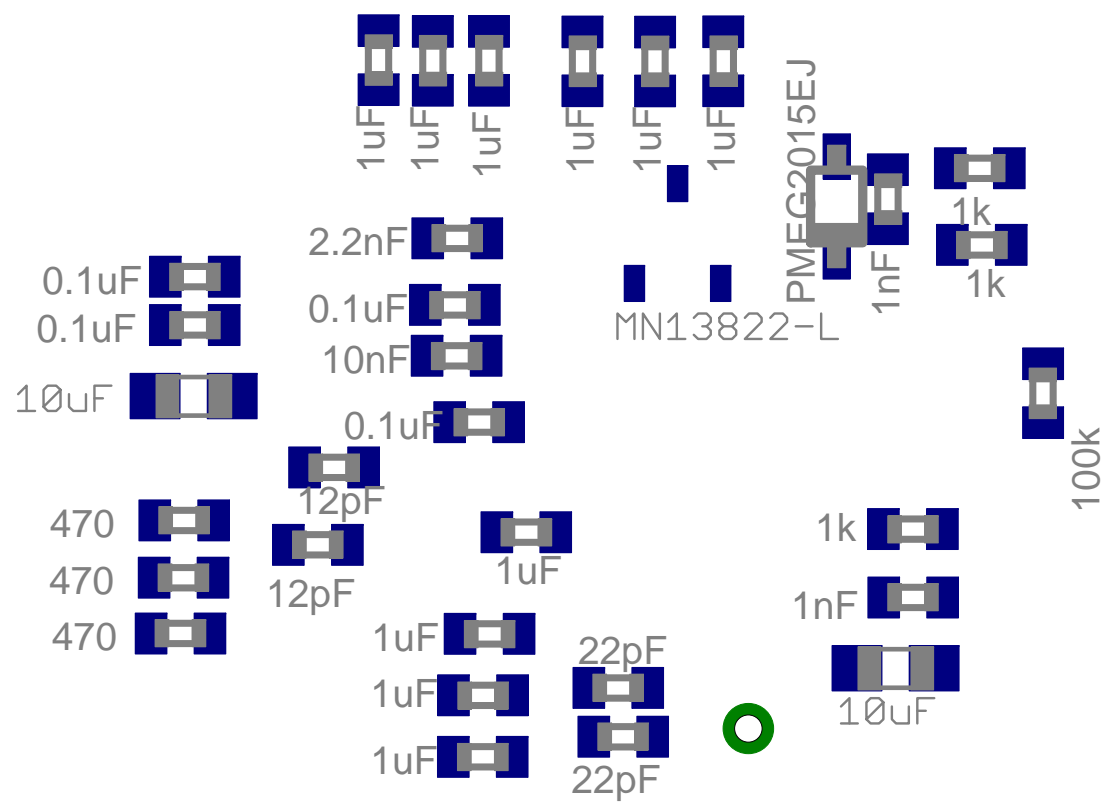
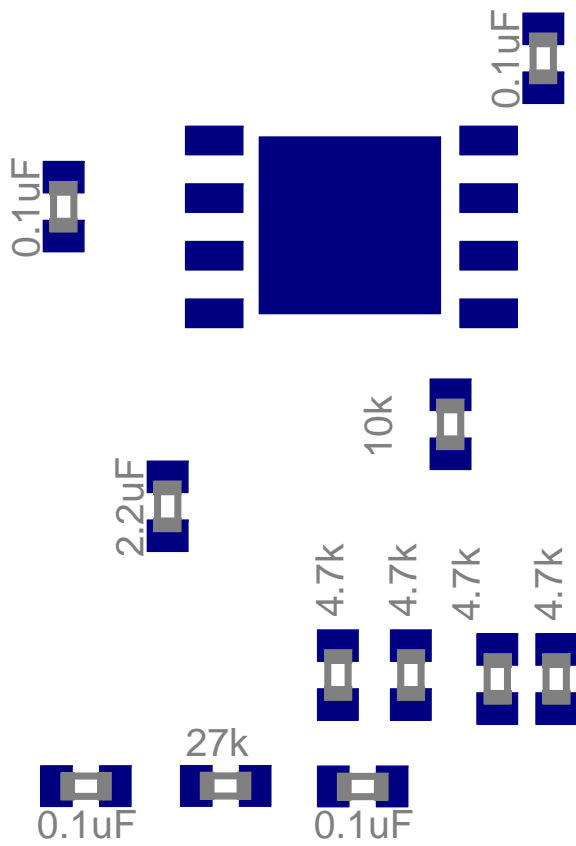
Title: ImageProc_v2-22	
Version: 7/21/2010 3:16:57 PM	
Drawn By:	1/1











## Partlist

Exported from ImageProc\_v2-22.sch at 7/21/2010 3:52:03 PM

EAGLE Version 5.10.0 Copyright (c) 1988-2010 CadSoft

Part	Value	Device	Package	Library	Sheet
BALUN	HHM1710D1	BALUNA	BALUN	stan	1
C1	0.1uF	CAPO402-CAP	0402-CAP	SparkFun	1
C2	1nF	CAPO402-CAP	0402-CAP	SparkFun	1
C3	1uF	CAPO402-CAP	0402-CAP	SparkFun	1
C4	1uF	CAPO402-CAP	0402-CAP	SparkFun	1
C5	1uF	CAPO402-CAP	0402-CAP	SparkFun	1
C6	1uF	CAPO402-CAP	0402-CAP	SparkFun	1
C7	2.2nF	CAPO402-CAP	0402-CAP	SparkFun	1
C8	0.1uF	CAPO402-CAP	0402-CAP	SparkFun	1
C9	0.1uF	CAPO402-CAP	0402-CAP	SparkFun	1
C10	10nF	CAPO402-CAP	0402-CAP	SparkFun	1
C11	1nF	CAPO402-CAP	0402-CAP	SparkFun	1
C12	10uF	CAPO603-CAP	0603-CAP	SparkFun	1
C13	0.1uF	CAPO402-CAP	0402-CAP	SparkFun	1
C14	0.1uF	CAPO402-CAP	0402-CAP	SparkFun	1
C15	1uF	CAPO402-CAP	0402-CAP	SparkFun	1
C16	1uF	CAPO402-CAP	0402-CAP	SparkFun	1
C17	1uF	CAPO402-CAP	0402-CAP	SparkFun	1
C18	0.1uF	CAPO402-CAP	0402-CAP	SparkFun	1
C19	22pF	CAPO402-CAP	0402-CAP	SparkFun	1
C20	22pF	CAPO402-CAP	0402-CAP	SparkFun	1
C21	12pF	CAPO402-CAP	0402-CAP	SparkFun	1
C22	12pF	CAPO402-CAP	0402-CAP	SparkFun	1
C23	0.1uF	CAPO402-CAP	0402-CAP	SparkFun	1
C24	1uF	CAPO402-CAP	0402-CAP	SparkFun	1
C25	1uF	CAPO402-CAP	0402-CAP	SparkFun	1
C26	1uF	CAPO402-CAP	0402-CAP	SparkFun	1
C27	2.2uF	CAPO402-CAP	0402-CAP	SparkFun	1
C28	0.1uF	CAPO402-CAP	0402-CAP	SparkFun	1
C29	10uF	CAPO603-CAP	0603-CAP	SparkFun	1
D1	PMEG2015EJ	DSOD323	SOD323	zetex	1
JP1	MPCS2PH	MPCS2PH	MOLEX-PI CO_CLASP_S2P	stan	1
JP2	51441-2493-C	OV7660FSL_CON-24	MOLEX-52740-2490	stan	1
JP3	ICD2	MPCS6PH	MOLEX-PI CO_CLASP_S6P	stan	1
JP4	WI I	MPCS6PH	MOLEX-PI CO_CLASP_S6P	stan	1
JP5	MPCS6PH	MPCS6PH	MOLEX-PI CO_CLASP_S6P	stan	1

BOD.txt					
JP6	MPCS2PH	MPCS2PH	MOLEX-PI CO_CLASP_S2P	stan	1
JP7	MPCS2PH	MPCS2PH	MOLEX-PI CO_CLASP_S2P	stan	1
JP8	MPCS2PH	MPCS2PH	MOLEX-PI CO_CLASP_S2P	stan	1
JP9	MPCS2PH	MPCS2PH	MOLEX-PI CO_CLASP_S2P	stan	1
JP10		SOLDER_PADS_9P	SOLDER_PADS_9P	stan	1
LED1	0402	LEDCHI P-LED0603	CHI P-LED0603	led	1
LED2	0402	LEDCHI P-LED0603	CHI P-LED0603	led	1
LED3	0402	LEDCHI P-LED0603	CHI P-LED0603	led	1
PROC	DSPI C33FJ128MC706A	DSPI C33FJ128MC706-I /PT	TQFP64	stan	1
Q1	ZXMN2B01FCT	MOSFET-NCHANNELSMD	SOT23-3	SparkFun	1
R1	1k	R-US_R0402	R0402	rcl	1
R2	100k	R-US_R0402	R0402	rcl	1
R3	1k	R-US_R0402	R0402	rcl	1
R4	1k	R-US_R0402	R0402	rcl	1
R5	4.7k	R-US_R0402	R0402	rcl	1
R6	4.7k	R-US_R0402	R0402	rcl	1
R7	4.7k	R-US_R0402	R0402	rcl	1
R8	4.7k	R-US_R0402	R0402	rcl	1
R9	10k	R-US_R0402	R0402	rcl	1
R10	27k	R-US_R0402	R0402	rcl	1
R12	470	R-US_R0402	R0402	rcl	1
R13	1k	R-US_R0402	R0402	rcl	1
R14	470	R-US_R0402	R0402	rcl	1
R15	470	R-US_R0402	R0402	rcl	1
U1	MI C5335-SPYMT	MI C5320-JGYML	MLF-6	stan	1
U2	MI C5320-JGYML	MI C5320-JGYML	MLF-6	stan	1
U3	ITG-3200	ITG-3200-00	QFN-24	stan	1
U4	AT86RF231-ZU	AT86RF231-ZU	QFN-32	stan	1
U5	AT45DB321D	AT45DB321D	MLF (VDFN) -8	stan	1
U6	ECS-2033	OSCI LLATORS	OSCI LLATOR-SMD	stan	1
U7	A3903S	A3903S	DFN-8	stan	1
U8	ADXL345-LGA12	ADXL345	LGA14	stan	1
U9	MN13822-L	VOL_DETECTOR	SOT-23-3	stan	1
U10	ECX-2236	CRYSTALS	CRYSTAL-SMD	stan	1
U11	ANTENNA	ANTENNA	ANTENNA_PAD	stan	1
U12	ANTENNA-CHI P	ANTENNA-CHI P	ANTENNA-CHI P	stan	1



## Errata

Change "AN5" to "AN11" for pin 5 of JP5 on the board.