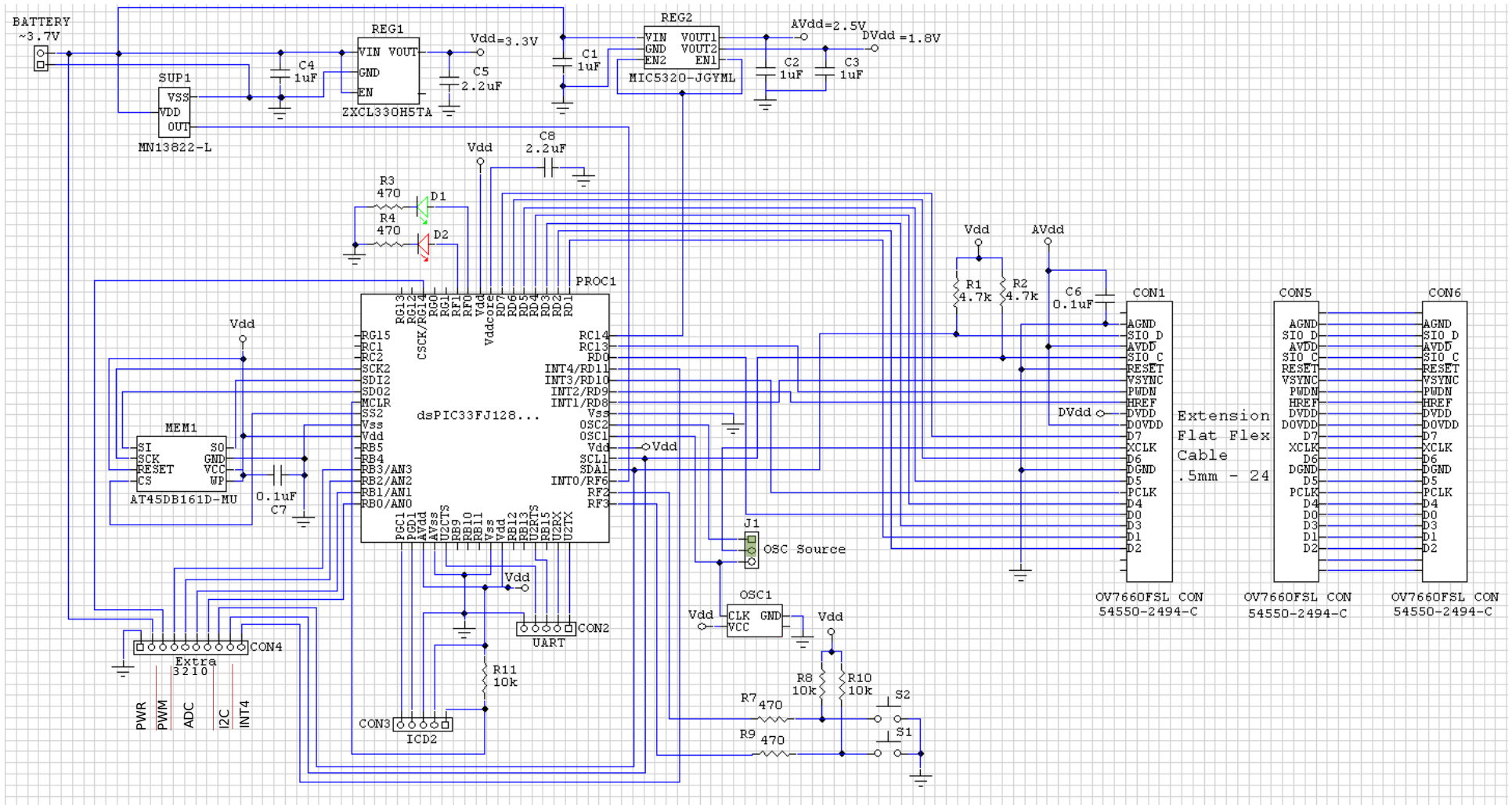
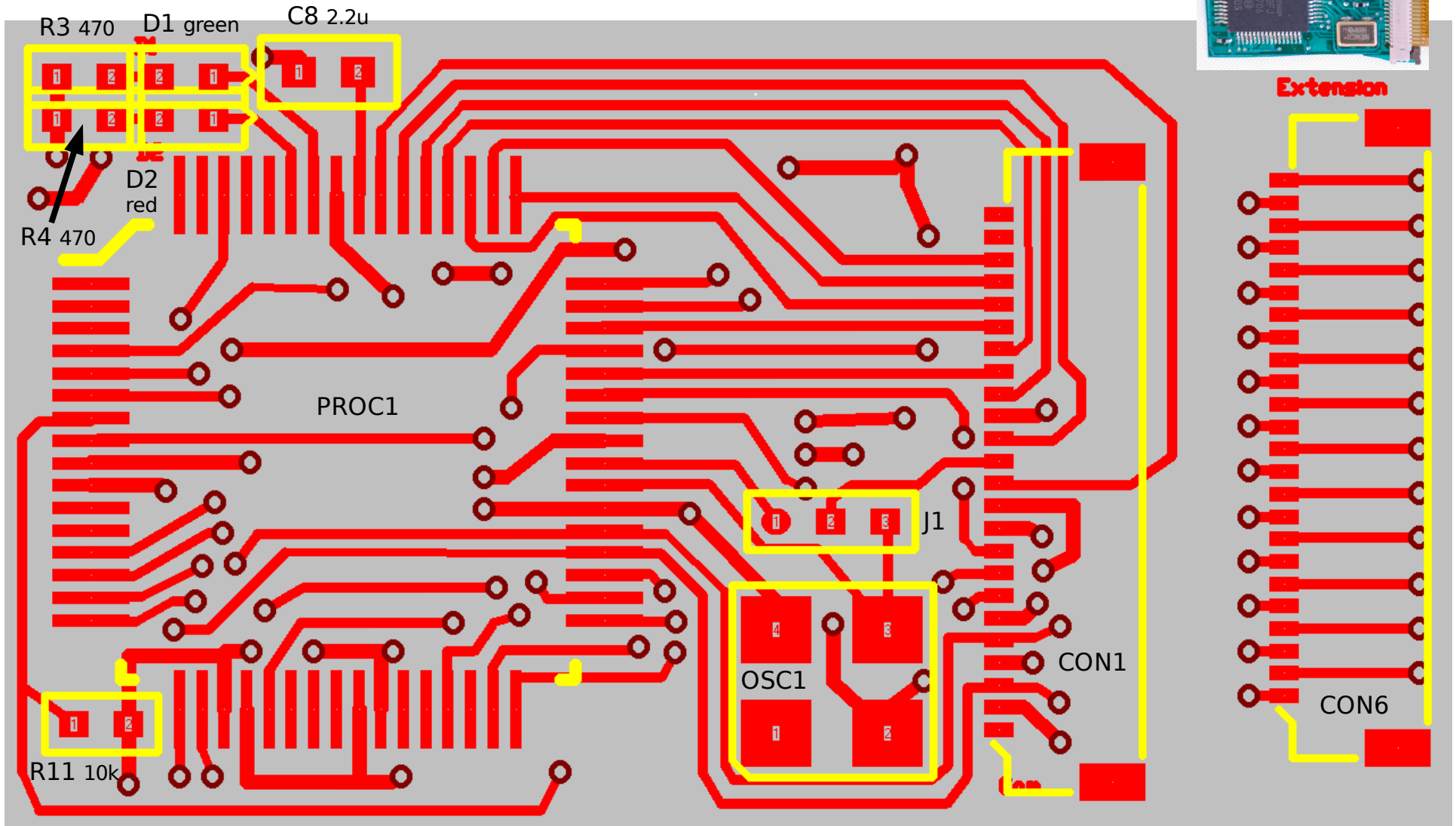
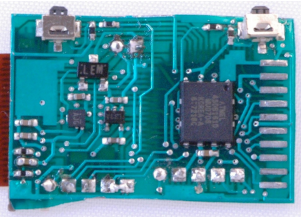


Diagram

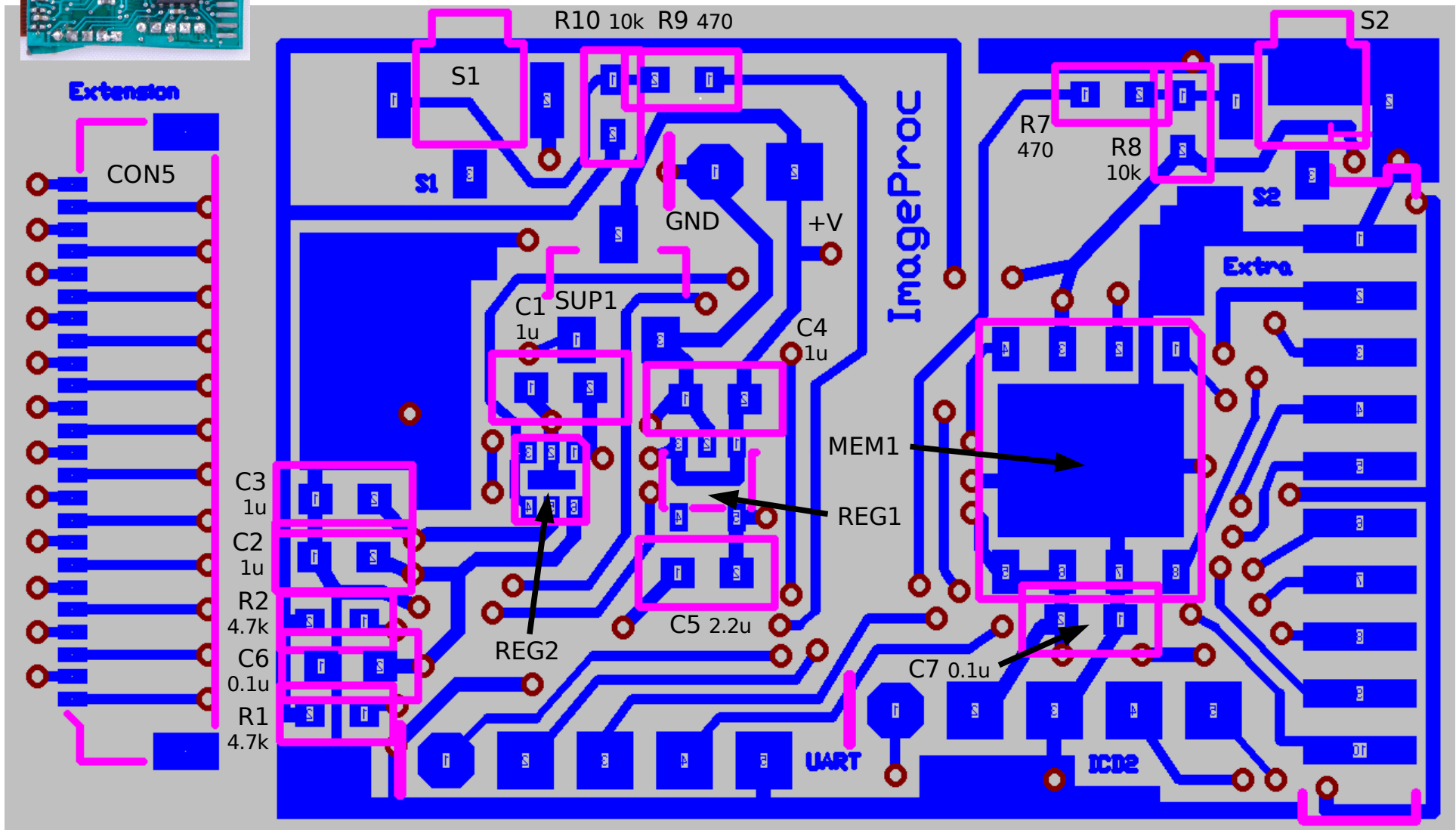


Layout (Top)





Layout (Bottom)



Bill of Materials

Item #	Label-Value	Attributes	Designation	Description	
1*	1	~3.7V	pad2	BATTERY	
2	4	1uF	SM/C/0402	C1,C2,C3,C4	
3	2	2.2uF	SM/C/0402	C5,C8	
4	2	0.1uF	SM/C/0402	C6,C7	
5	3	54550-2494-C	MOLEX05FPC-24	CON1,CON5,CON6	Molex ZIF Connector for OV7660FSL
6*	1	UART	pad5	CON2	
7*	1	ICD2	pad5	CON3	
8*	1	Extra	SIP10/SM575	CON4	
9	2	LED1	SM/D/0402/12	D1,D2	
10*	1	OSC Source	SM/JP/0402-3	J1	
11	1	AT45DB161D-MU	MLF-8	MEM1	16Mbit DataFlash Memory
12	1	ECS-3963-400-BN	ECS3963_SMD	OSC1	ECS SMD Clock Oscillator
13	1	dsPIC33FJ128...	Q.50M_64A	PROC1	dsPIC33FJ128MC706
14	2	4.7k	SM/R/0402	R1,R2	
15	4	470	SM/R/0402	R3,R4,R7,R9	
16	3	10k	SM/R/0402	R8,R10,R11	
17	1	ZXCL330H5TA	SC70-5	REG1	Micropower 150mA Low-Dropout Regulator
18	1	MIC5320-JGYML	MLF-6	REG2	High Performance Dual 150mA uCap ULDO
19	2	B3U-3100P	B3U-3100P	S1,S2	Side-actuated Tactile Switch
20	1	MN13822-L	SC59/132	SUP1	Voltage Detector/Supervisor

* These items don't need to be populated with components, but wires.